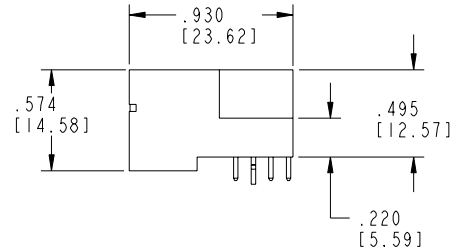
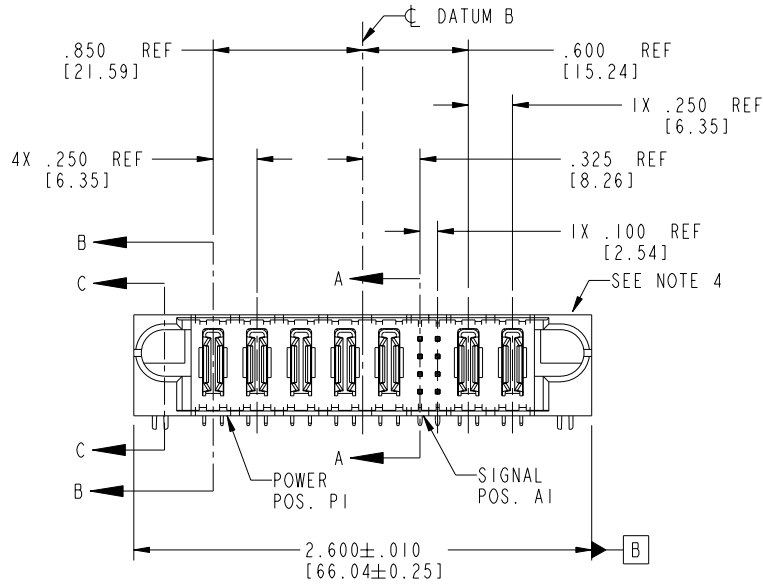


Tous droits strictement réservés. Reproduction ou communication à des tiers interdite sous quelque forme que ce soit sans autorisation écrite du propriétaire. Propriété de c FCI. Droits de reproduction FCI.

All rights strictly reserved. Reproduction or issue to third parties in any form whatever is not permitted without written authority from the proprietor. Property of FCI. Copyright FCI.

PRODUCT NO.	ROWS	POWER					SIG		POWER		E2
		E1	P1	P2	P3	P4	P5	1	2	P6	
51730-050 NOTE: ③	D C B A										



CODE	DIM "M" MATING LENGTH	CONTACT TYPE
H	.220 [5.59]	SIGNAL
R	.270 [6.86]	SIGNAL
S	.270 [6.86]	SIGNAL
T	.270 [6.86]	SIGNAL
PA	N/A [N/A]	POWER
HA	N/A [N/A]	HOLD-DOWN

mat'l code				SEE NOTE 2		tolerances unless otherwise specified		CUSTOMER		www.fciconnect.com	
ltr	ecn no.	dr	date	linear	.XX±.01/0.X±0.3	projection	COPY		title		
A	V21012	JWS	06-06-02		.XXX±.005/0.XX±0.13		INCH/MM		5P + 8S + 2P		
B	DDG05-0253	SJ	407/25/05		.XXXX±.0020/0.XXX±0.051		scale		RIGHT ANGLE SOLDER HEADER		
C	DG05-0560	CS	12/26/05	angles	0°±2°		1:1		product family PwrBlade code 213		
				dr	J. SHAFFER	06-06-02			size dwg no		
				enrg	M. MOSTOLLER	06-06-02			A 51730-050 sheet 1 of 4		
				chr	M. MOSTOLLER	06-06-02			cage code 22526 4		
				appd	M. MOSTOLLER	06-06-02			Printed: Aug 12, 2007		
sheet index	revision	C	C	C	C	C					
sheet	sheet	1	2	3	4						

Pro/E

PDM: Rev:C

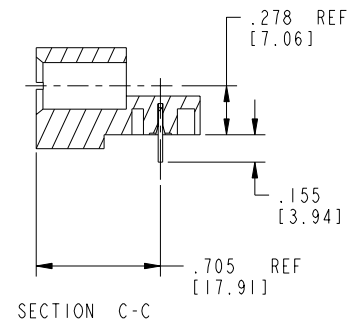
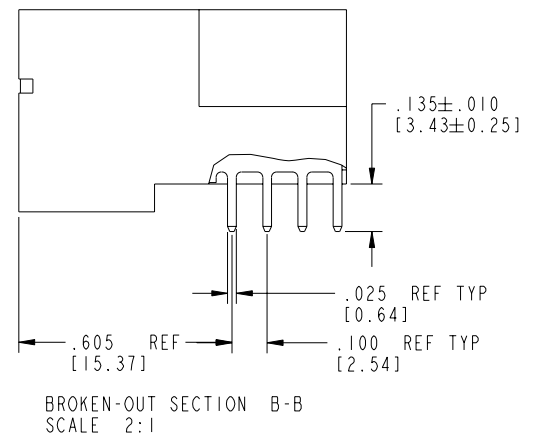
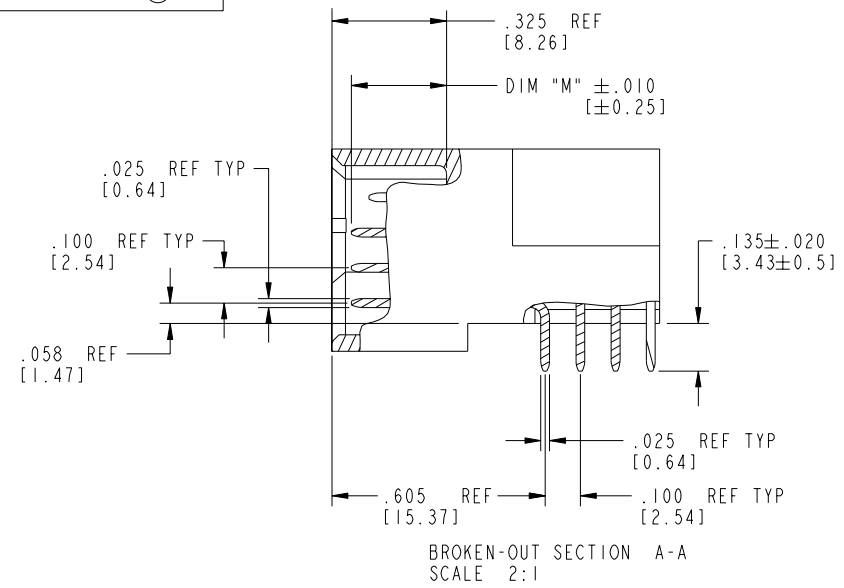
STATUS: Released

Printed: Aug 12, 2007

Tous droits strictement réservés. Reproduction ou communication a des tiers interdite sous quelque forme que ce soit sans autorisation écrite du propriétaire. Propriété de FCI. Droits de reproduction FCI.

All rights strictly reserved. Reproduction or issue to third parties in any form whatever is not permitted without written authority from the proprietor. Property of FCI. Copyright FCI.

PRODUCT NUMBER
51730-050--
NOTE: (3)



mat'l code		SEE NOTE 2		tolerances unless otherwise specified		CUSTOMER		 www.fciconnect.com	
ltr	ecn no.	dr	date	linear	.XX±.01/0.X±0.3	COPY			
c				linear	.XXX±.005/0.XX±0.13	INCH/MM		title	
				angles	.XXXX±.0020/0.XXX±0.051	1:1		5P + 8S + 2P RIGHT ANGLE SOLDER HEADER	
				dr	J. SHAFFER 06-06-02	product family		PwrBlade	
				engr	M. MOSTOLLER 06-06-02	size		dwg no	
				chr	M. MOSTOLLER 06-06-02	scale		51730-050	
				appd	M. MOSTOLLER 06-06-02	sheet		2 of 4	
sheet index	revision sheet								

cage code 22526

Pro/E

PDM: Rev:C

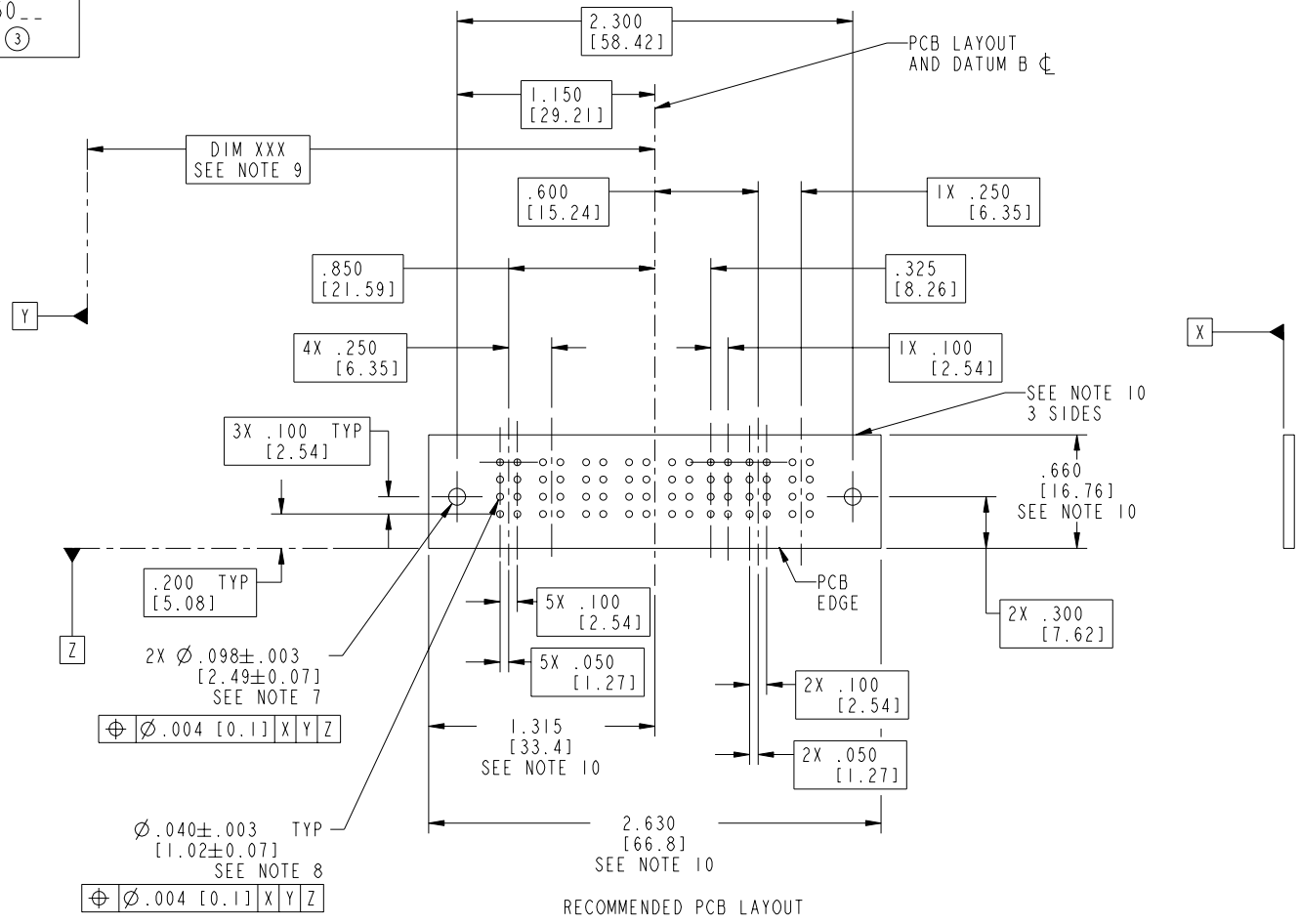
STATUS: Released

Printed: Aug 12, 2007

Tous droits strictement réservés. Reproduction ou communication a des tiers interdite sous quelque forme que ce soit sans autorisation écrite du propriétaire. Propriété de c FCI. Droits de reproduction FCI.

All rights strictly reserved. Reproduction or issue to third parties in any form whatever is not permitted without written authority from the proprietor. Property of FCI. Copyright FCI.

PRODUCT NUMBER
51730-050--
NOTE: ③



RECOMMENDED PCB LAYOUT

mat'l code		SEE NOTE 2		tolerances unless otherwise specified		CUSTOMER		 www.fciconnect.com	
ltr	ecn no.	dr	date	linear	.XX±.01/0.X±0.3	COPY		title	
C					.XXX±.005/0.XX±0.13	projection		5P + 8S + 2P	
				angles	.XXXX±.0020/0.XXX±0.051			RIGHT ANGLE SOLDER HEADER	
				dr	J. SHAFFER 06-06-02	INCH/MM		product family	
				enrg	M. MOSTOLLER 06-06-02	scale		PwrBlade	
				chr	M. MOSTOLLER 06-06-02	1:1		code	
				appd	M. MOSTOLLER 06-06-02			213	
sheet index		revision sheet						size	
								A 51730-050	
								sheet	
								3 of 4	

cage code 22526

Pro/E

PDM: Rev:C

STATUS: Released

Printed: Aug 12, 2007

Tous droits strictement réservés. Reproduction ou communication a des tiers interdite sous quelque forme que ce soit sans autorisation écrite du propriétaire. Propriété de c FCI. Droits de reproduction FCI.

A
FCI

All rights strictly reserved. Reproduction or issue to third parties in any form whatever is not permitted without written authority from the proprietor. Property of FCI. Copyright FCI.

B

PRODUCT NUMBER
51730-050_-
NOTE: ③

NOTES:

1. DIMENSIONS AND TOLERANCES ARE IN ACCORDANCE WITH ASME Y14.5M, 1994 UNLESS OTHERWISE SPECIFIED.

CONNECTOR NOTES:

② HOUSING MATERIAL: UL 94 V-0 GLASS FILLED
HIGH-TEMP THERMOPLASTIC
POWER CONTACT MATERIAL: COPPER ALLOY
SIGNAL PIN MATERIAL: COPPER ALLOY

3. PLATING:
51730-050 Singal Pin: 30u"/0.76um Au OVER 50u"/1.27um Ni ON THE CONTACT AREA.
AND 100u"/2.54um SnPb PLATING OVER 50u"/1.27um Ni ON THE TERMINATION SECTION.
Power Pin: 30u"/0.76um Au OVER 50u"/1.27um Ni ON THE CONTACT AREA,
AND 100u"/2.54um SnPb PLATING OVER 50u"/1.27um Ni ON THE TERMINATION SECTION.
51730-050LF Singal Pin: 30u"/0.76um Au OVER 50u"/1.27um Ni ON THE CONTACT AREA.
AND 78u"/2.00um Sn PLATING OVER 50u"/1.27um Ni ON THE TERMINATION SECTION.
Power Pin: 30u"/0.76um Au OVER 50u"/1.27um Ni ON THE CONTACT AREA,
AND 78u"/2.00um Sn PLATING OVER 50u"/1.27um Ni ON THE TERMINATION SECTION.

PART NUMBER 51730-050LF MEETS EUROPEAN UNION DIRECTIVE AND OTHER COUNTRY REGULATIONS AS DESCRIBED IN GS-22-008.

THE HOUSING WILL WITHSTAND EXPOSURE TO 260° PEAK TEMPERATURE FOR 10 SECONDS IN A WAVE SOLDER APPLICATION WITH A CIRCUIT BOARD.

④ MANUFACTURER'S NAME, P/N, AND DATE CODE TO APPEAR ON THIS SURFACE.

5. PRODUCT SPECIFICATION GS-12-149.
APPLICATION SPECIFICATION BUS-20-067.

PCB NOTES:


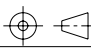
6. ALL HOLE DIAMETERS ARE FINISHED HOLE SIZE.

7. MOUNTING HOLES, WHERE APPLICABLE, ARE UNPLATED.

⑧ $\varnothing .0453 \pm 0.0010$ [1.151 \pm 0.025] DRILLED HOLES PLATED WITH
0.0003 [0.008] MIN SnPb OVER .001 [0.03]
TO .003 [0.08] Cu PLATING TO ACHIEVE
 $\varnothing .040 \pm .003$ [1.02 \pm .07] HOLE.

⑨ "DIM XXX" TO BE DETERMINED BY THE CUSTOMER.

⑩ CONNECTOR KEEP-OUT ZONE.

mat'l code				SEE NOTE 2		tolerances unless otherwise specified		CUSTOMER		 www.fciconnect.com	
ltr	ecn no.	dr	date	linear	.XX±.01/0.X±0.3		COPY		projection	title	
C					.XXX±.005/0.XX±0.13					5P + 8S + 2P	
				angles	.XXX±.0020/0.XXX±0.051		INCH/MM		 RIGHT ANGLE SOLDER HEADER	product family	
				dr	0° ± 2°		A			PwrBlade	
				engr	J. SHAFFER	06-06-02	scale		size		code
				chr	M. MOSTOLLER	06-06-02	1:1		A		213
				appd	M. MOSTOLLER	06-06-02			51730-050		sheet
sheet index	revision sheet										4 of 4

cage code 22526

4

Pro/E

PDM: Rev:C

STATUS: Released

Printed: Aug 12, 2007